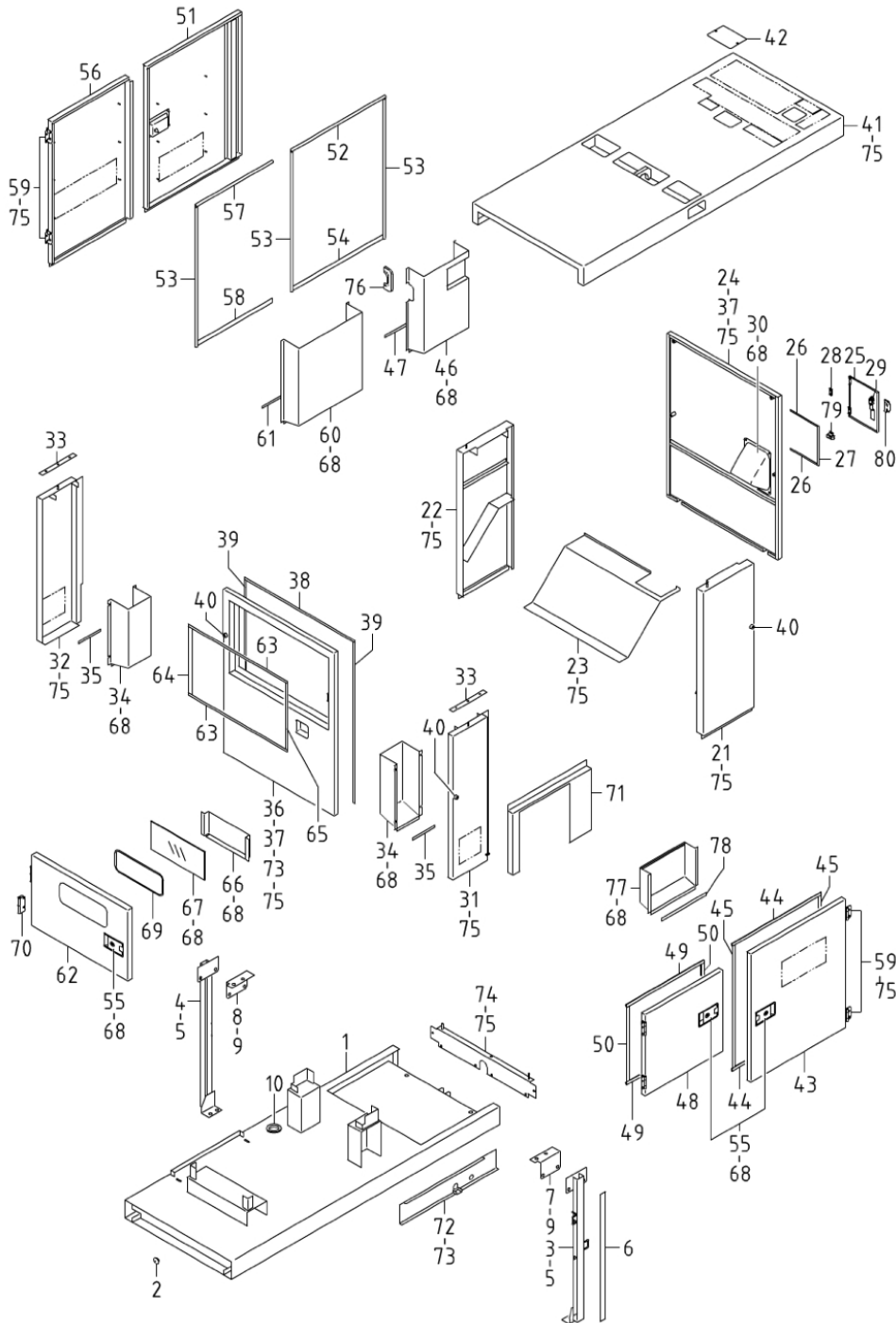




51-00 - FRAME AND BONNET-SDG65S-6A6

51 - 00 FRAME & BONNET



- 51-1 -

0411-02



51-00 - FRAME AND BONNET-SDG65S-6A6

Diag #	Part #	Description	ITC	Serial/Date	Qty	Notes
1	51100 78330	Frame		, 0000-00-00~0000-00-00	1	
1-1	51100 83430	Frame	B	191~, 0000-00-00~0000-00-00	1	
2	03403 10017	Grommet		, 0000-00-00~0000-00-00	2	
3	52620 41700	Lifting bail		, 0000-00-00~0000-00-00	1	
4	52620 41800	Lifting bail		, 0000-00-00~0000-00-00	1	
5	02135 16040	Bolt		, 0000-00-00~0000-00-00	8	
5	03115 02016	Spring washer		, 0000-00-00~0000-00-00	4	lower side
5	03116 12016	Plain washer		, 0000-00-00~0000-00-00	4	lower side
5	03115 06016	Spring washer		, 0000-00-00~0000-00-00	4	upper side
5	03116 15016	Plain washer		, 0000-00-00~0000-00-00	4	upper side
6	52728 08010	Cushion rubber		, 0000-00-00~0000-00-00	1	
7	52630 11201	Stay		, 0000-00-00~0000-00-00	1	
8	52630 11300	Stay		, 0000-00-00~0000-00-00	1	
9	02135 16040	Bolt		, 0000-00-00~0000-00-00	4	
9	02912 08016	Nut		, 0000-00-00~0000-00-00	4	
9	03115 02016	Spring washer		, 0000-00-00~0000-00-00	4	
9	03116 12016	Plain washer		, 0000-00-00~0000-00-00	8	
10	03403 00703	Grommet		191~, 0000-00-00~0000-00-00	1	This is a new part starting with this S/N forward.
21	52100 25720	Cover		, 0000-00-00~0000-00-00	1	
22	52100 22920	Cover		, 0000-00-00~0000-00-00	1	
23	52220 12300	Cover		, 0000-00-00~0000-00-00	1	

MMD Equipment. Equip with the Pros.
All prices are subject to change without notice.



51-00 - FRAME AND BONNET-SDG65S-6A6

Diag #	Part #	Description	ITC	Serial/Date	Qty	Notes
24	52830 33700	Cover		, 0000-00-00~0000-00-00	1	
24-1	52830 35500	Cover	B	191~, 0000-00-00~0000-00-00	1	
25	52400 51110	Side cover		, 0000-00-00~0000-00-00	1	
26	03407 64216	Cushion rubber		, 0000-00-00~0000-00-00	2	
27	03407 64227	Cushion rubber		, 0000-00-00~0000-00-00	1	
28	52312 03300	Hinge		, 0000-00-00~0000-00-00	2	
28	02305 64006	Screw		, 0000-00-00~0000-00-00	4	filler cover side
28	03116 12005	Plain washer		, 0000-00-00~0000-00-00	8	
28	02305 64012	Screw		, 0000-00-00~0000-00-00	4	front cover side
28	02305 64006	Screw		, 0000-00-00~0000-00-00	8	
29	52723 00900	Lock		, 0000-00-00~0000-00-00	1	
30	52220 10800	Cover		, 0000-00-00~0000-00-00	1	
31	52100 24121	Cover		, 0000-00-00~0000-00-00	1	
32	52100 24222	Cover		, 0000-00-00~0000-00-00	1	
33	52728 08710	Cushion rubber		, 0000-00-00~0000-00-00	2	
34	52370 38501	Duct		, 0000-00-00~0000-00-00	2	
35	03407 66861	Seal rubber		, 0000-00-00~0000-00-00	2	
36	52100 23820	Cover		, 0000-00-00~0000-00-00	1	
37	02136 08050	Bolt		, 0000-00-00~0000-00-00	6	
37	03115 06008	Spring washer		, 0000-00-00~0000-00-00	6	
37	03116 15008	Plain washer		, 0000-00-00~0000-00-00	6	

MMD Equipment. Equip with the Pros.
All prices are subject to change without notice.



51-00 - FRAME AND BONNET-SDG65S-6A6

Diag #	Part #	Description	ITC	Serial/Date	Qty	Notes
38	03407 66830	Seal rubber		, 0000-00-00~0000-00-00	1	
39	03407 66848	Seal rubber		, 0000-00-00~0000-00-00	2	
40	31131 04100	Rubber,vibration isolator		, 0000-00-00~0000-00-00	5	
41	52300 75110	Top cover		, 0000-00-00~0000-00-00	1	
41	02136 08150	Bolt		, 0000-00-00~0000-00-00	4	
41	52744 00900	Washer		, 0000-00-00~0000-00-00	4	
41	03116 35008	Plain washer		, 0000-00-00~0000-00-00	4	
41	02401 26020	Screw		, 0000-00-00~0000-00-00	6	
42	52350 89010	Cover		, 0000-00-00~0000-00-00	1	
42	02246 08025	Bolt		, 0000-00-00~0000-00-00	2	
43	52450 65020	Door		, 0000-00-00~0000-00-00	1	
44	03407 66306	Seal rubber		, 0000-00-00~0000-00-00	1	
45	03407 66321	Seal rubber		, 0000-00-00~0000-00-00	1	
46	52370 49500	Duct		, 0000-00-00~0000-00-00	1	
47	03407 66839	Seal rubber		, 0000-00-00~0000-00-00	1	
48	52450 62820	Door		, 0000-00-00~0000-00-00	1	
49	03407 66303	Seal rubber		, 0000-00-00~0000-00-00	2	
50	03407 66336	Seal rubber		, 0000-00-00~0000-00-00	2	
51	52450 63120	Door		, 0000-00-00~0000-00-00	1	
52	03407 66306	Seal rubber		, 0000-00-00~0000-00-00	1	
53	03407 66314	Seal rubber		, 0000-00-00~0000-00-00	3	

MMD Equipment. Equip with the Pros.
All prices are subject to change without notice.



51-00 - FRAME AND BONNET-SDG65S-6A6

Diag #	Part #	Description	ITC	Serial/Date	Qty	Notes
54	03407 67016	Seal rubber		, 0000-00-00~0000-00-00	1	
55	52710 03601	Latch ass'y		, 0000-00-00~0000-00-00	4	
55	52739 03700	Key		, 0000-00-00~0000-00-00	1	
56	52450 63020	Door		, 0000-00-00~0000-00-00	1	
57	03407 66303	Seal rubber		, 0000-00-00~0000-00-00	1	
58	03407 67032	Seal rubber		, 0000-00-00~0000-00-00	1	
59	52480 13200	Hinge		, 0000-00-00~0000-00-00	8	
59	02401 28020	Screw		, 0000-00-00~0000-00-00	16	
60	52370 49700	Duct		, 0000-00-00~0000-00-00	1	
61	03407 66842	Seal rubber		, 0000-00-00~0000-00-00	1	
62	52450 59420	Door		, 0000-00-00~0000-00-00	1	
63	03407 66837	Seal rubber		, 0000-00-00~0000-00-00	2	
64	03407 67034	Seal rubber		, 0000-00-00~0000-00-00	1	
65	03407 66826	Seal rubber		, 0000-00-00~0000-00-00	1	
66	39200 04301	Tool box		, 0000-00-00~0000-00-00	1	
67	52416 19800	Window glass		, 0000-00-00~0000-00-00	1	
68	02915 00006	Hexagon flange nut		, 0000-00-00~0000-00-00	54	
69	03407 67605	Seal rubber		, 0000-00-00~0000-00-00	1	
70	52480 13800	Hinge		, 0000-00-00~0000-00-00	2	
70	02136 08025	Bolt		, 0000-00-00~0000-00-00	8	
71	52160 14301	Bracket		, 0000-00-00~0000-00-00	1	

MMD Equipment. Equip with the Pros.
All prices are subject to change without notice.



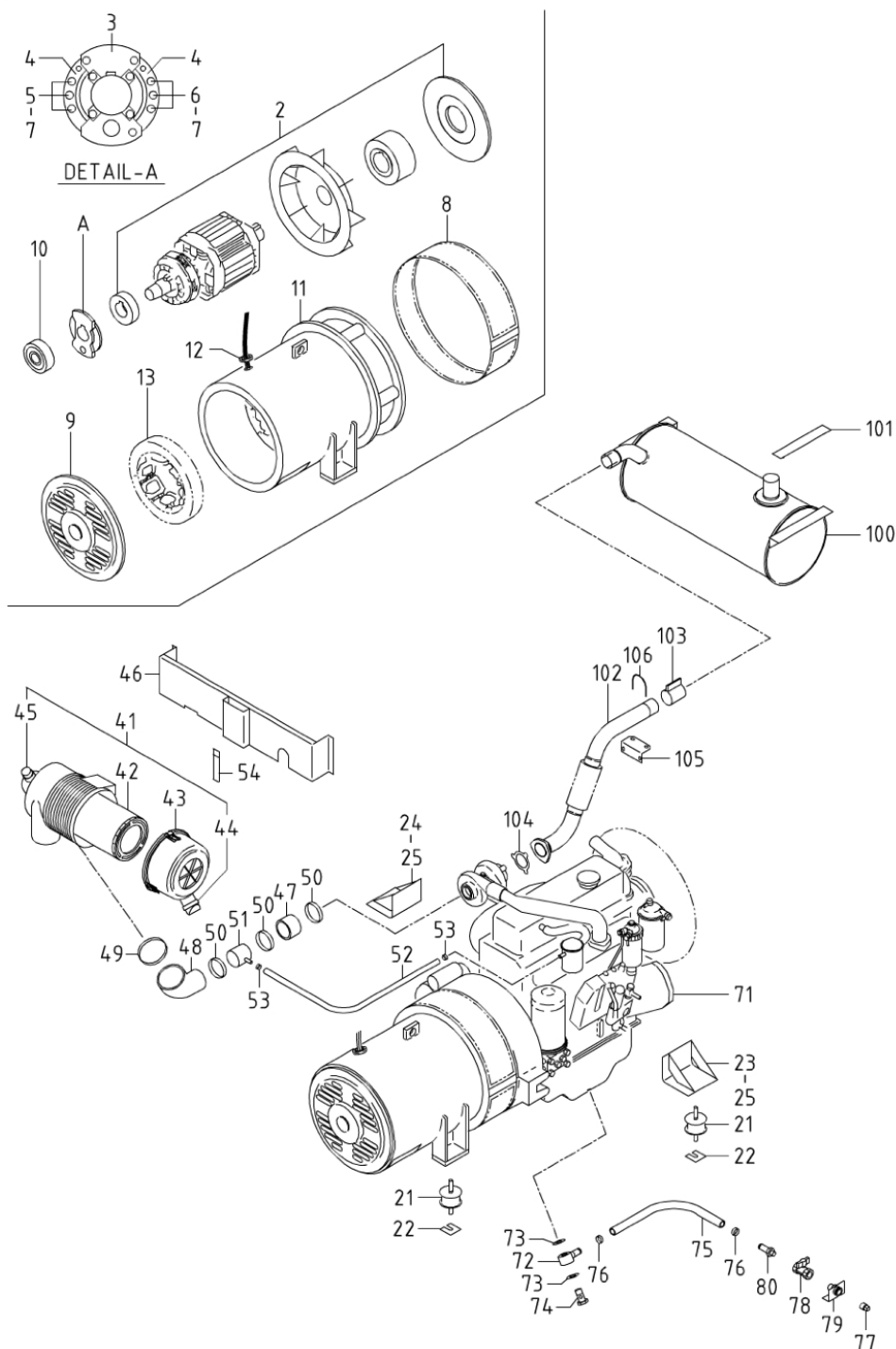
51-00 - FRAME AND BONNET-SDG65S-6A6

Diag #	Part #	Description	ITC	Serial/Date	Qty	Notes
71	02401 46012	Screw		, 0000-00-00~0000-00-00	6	
71	02401 26020	Screw		, 0000-00-00~0000-00-00	2	
71	02401 46020	Screw		, 0000-00-00~0000-00-00	4	
71	02136 06060	Bolt		, 0000-00-00~0000-00-00	2	
71	03115 06006	Spring washer		, 0000-00-00~0000-00-00	2	
71	03116 15006	Plain washer		, 0000-00-00~0000-00-00	2	
72	52160 14400	Bracket		, 0000-00-00~0000-00-00	1	
73	02201 06016	Flange bolt		, 0000-00-00~0000-00-00	7	
74	52350 92610	Cover		, 0000-00-00~0000-00-00	1	
75	02201 08020	Flange bolt		, 0000-00-00~0000-00-00	45	
76	03407 65710	Seal rubber (cover)		, 0000-00-00~0000-00-00	1	
77	52370 49900	Duct		, 0000-00-00~0000-00-00	1	
78	03407 66839	Seal rubber		, 0000-00-00~0000-00-00	1	
79	52710 00700	Latch ass'y		191~, 0000-00-00~0000-00-00	1	This is a new part starting with this S/N forward.
79	02345 64010	Screw		191~, 0000-00-00~0000-00-00	2	
79	02345 64016	Screw		191~, 0000-00-00~0000-00-00	2	This is a new part starting with this S/N forward.
79	03115 02004	Spring washer		191~, 0000-00-00~0000-00-00	2	This is a new part starting with this S/N forward.
79	03116 12004	Plain washer		191~, 0000-00-00~0000-00-00	2	This is a new part starting with this S/N forward.
80	52730 16400	Handle		191~, 0000-00-00~0000-00-00	1	This is a new part starting with this S/N forward.



20-00 - GENERATOR AND ENGINE-SDG65S-6A6

20 - 00 GENERATOR & ENGINE



- 20-1

MMD Equipment. Equip with the Pros.
All prices are subject to change without notice.



20-00 - GENERATOR AND ENGINE-SDG65S-6A6

Diag #	Part #	Description	ITC	Serial/Date	Qty	Notes
1	20003 58100	Generator		, 0000-00-00~0000-00-00	1	Includes.No.2~13
1	02135 10030	Bolt		, 0000-00-00~0000-00-00	8	for coupling
1	03115 02010	Spring washer		, 0000-00-00~0000-00-00	8	for coupling
1	02238 10030	Bolt (w/washer)		, 0000-00-00~0000-00-00	12	for casing
2	25100 06400	A.C.G.rotor ass'y		, 0000-00-00~0000-00-00	1	
3	25650 00400	Surge absorber		, 0000-00-00~0000-00-00	1	
3	02248 06020	Bolt,w/w		, 0000-00-00~0000-00-00	4	
4	25641 01200	Belt		, 0000-00-00~0000-00-00	2	
4	02138 06016	Bolt		, 0000-00-00~0000-00-00	2	
4	02138 06025	Bolt		, 0000-00-00~0000-00-00	2	
4	02912 08006	Nut		, 0000-00-00~0000-00-00	4	
4	03115 02006	Spring washer		, 0000-00-00~0000-00-00	4	
4	03116 12006	Plain washer		, 0000-00-00~0000-00-00	4	
5	46921 03301	Silicon rectifier		, 0000-00-00~0000-00-00	3	SID01-09
6	46921 03401	Silicon rectifier		, 0000-00-00~0000-00-00	3	ERD51-09
7	02912 08006	Nut		, 0000-00-00~0000-00-00	6	
8	25360 06200	Cover		, 0000-00-00~0000-00-00	1	
9	25310 07800	Casing		, 0000-00-00~0000-00-00	1	
9	02238 08025	Bolt,w/w		, 0000-00-00~0000-00-00	6	
10	21472 00100	Bearing		, 0000-00-00~0000-00-00	1	6311ZZCM
11	25200 09900	A.C.G.stator ass'y		, 0000-00-00~0000-00-00	1	

MMD Equipment. Equip with the Pros.
All prices are subject to change without notice.



20-00 - GENERATOR AND ENGINE-SDG65S-6A6

Diag #	Part #	Description	ITC	Serial/Date	Qty	Notes
12	36135 01700	Grommet		, 0000-00-00~0000-00-00	1	
13	25700 05100	EX.stator ass'y		, 0000-00-00~0000-00-00	1	
13	02138 06045	Bolt		, 0000-00-00~0000-00-00	3	
13	03115 02006	Spring washer		, 0000-00-00~0000-00-00	3	
13	03116 12006	Plain washer		, 0000-00-00~0000-00-00	3	
21	31130 10900	Vibration isolator ass'y		, 0000-00-00~0000-00-00	4	
21	02915 00012	Hexagon flange nut		, 0000-00-00~0000-00-00	8	
21	03116 12012	Plain washer		, 0000-00-00~0000-00-00	8	
22	31120 03500	Shim		, 0000-00-00~0000-00-00	4	
23	31110 73400	Bracket		, 0000-00-00~0000-00-00	1	
23	02102 10020	Bolt		, 0000-00-00~0000-00-00	3	
23	02911 08010	Nut		, 0000-00-00~0000-00-00	1	
24	31110 73500	Bracket		, 0000-00-00~0000-00-00	1	
24	02102 10020	Bolt		, 0000-00-00~0000-00-00	4	
25	03115 02010	Spring washer		, 0000-00-00~0000-00-00	8	
25	03116 12012	Plain washer		, 0000-00-00~0000-00-00	8	
41	32100 40200	Air filter ass'y		, 0000-00-00~0000-00-00	1	Includes.No.42~45
41	02201 08012	Flange bolt		, 0000-00-00~0000-00-00	4	
42	32143 12700	Element		, 0000-00-00~0000-00-00	1	
43	32142 10200	Cup		, 0000-00-00~0000-00-00	1	
44	32151 01600	Vacuator valve		, 0000-00-00~0000-00-00	1	

MMD Equipment. Equip with the Pros.
All prices are subject to change without notice.



20-00 - GENERATOR AND ENGINE-SDG65S-6A6

Diag #	Part #	Description	ITC	Serial/Date	Qty	Notes
45	32148 03000	Filter,service indicator		, 0000-00-00~0000-00-00	1	
46	32240 34000	Bracket		, 0000-00-00~0000-00-00	1	
46	02201 08020	Flange bolt		, 0000-00-00~0000-00-00	4	
47	32331 61101	Hose		, 0000-00-00~0000-00-00	1	
48	32331 60401	Hose		, 0000-00-00~0000-00-00	1	
49	03511 20110	Hose clip		, 0000-00-00~0000-00-00	1	
50	03511 20080	Hose clip		, 0000-00-00~0000-00-00	3	
51	32320 63900	Pipe		, 0000-00-00~0000-00-00	1	
52	03570 09050	Hose		, 0000-00-00~0000-00-00	1	
53	03511 10018	Hose clip		, 0000-00-00~0000-00-00	2	
54	03424 80010	Clip		, 0000-00-00~0000-00-00	1	
71	***	Engine		, 0000-00-00~0000-00-00	1	
71	113240 0791	ISUZU: Element,fuel filter		, 0000-00-00~0000-00-00	1	
71	113671 3270	Fan belt ISUZU		, 0000-00-00~0000-00-00	1	
71	113240 2321	ISUZU: Element, oil filter		, 0000-00-00~0000-00-00	1	
71	37438 07500	Filter cartridge		, 0000-00-00~0000-00-00	1	
72	43534 04000	Ring connector		, 0000-00-00~0000-00-00	1	
73	03407 16020	Gasket		, 0000-00-00~0000-00-00	2	
74	43532 07001	Nipple (Bolt)		, 0000-00-00~0000-00-00	1	
75	03580 19045	Hose		, 0000-00-00~0000-00-00	1	
76	03511 20035	Hose clip		, 0000-00-00~0000-00-00	2	

MMD Equipment. Equip with the Pros.
All prices are subject to change without notice.



20-00 - GENERATOR AND ENGINE-SDG65S-6A6

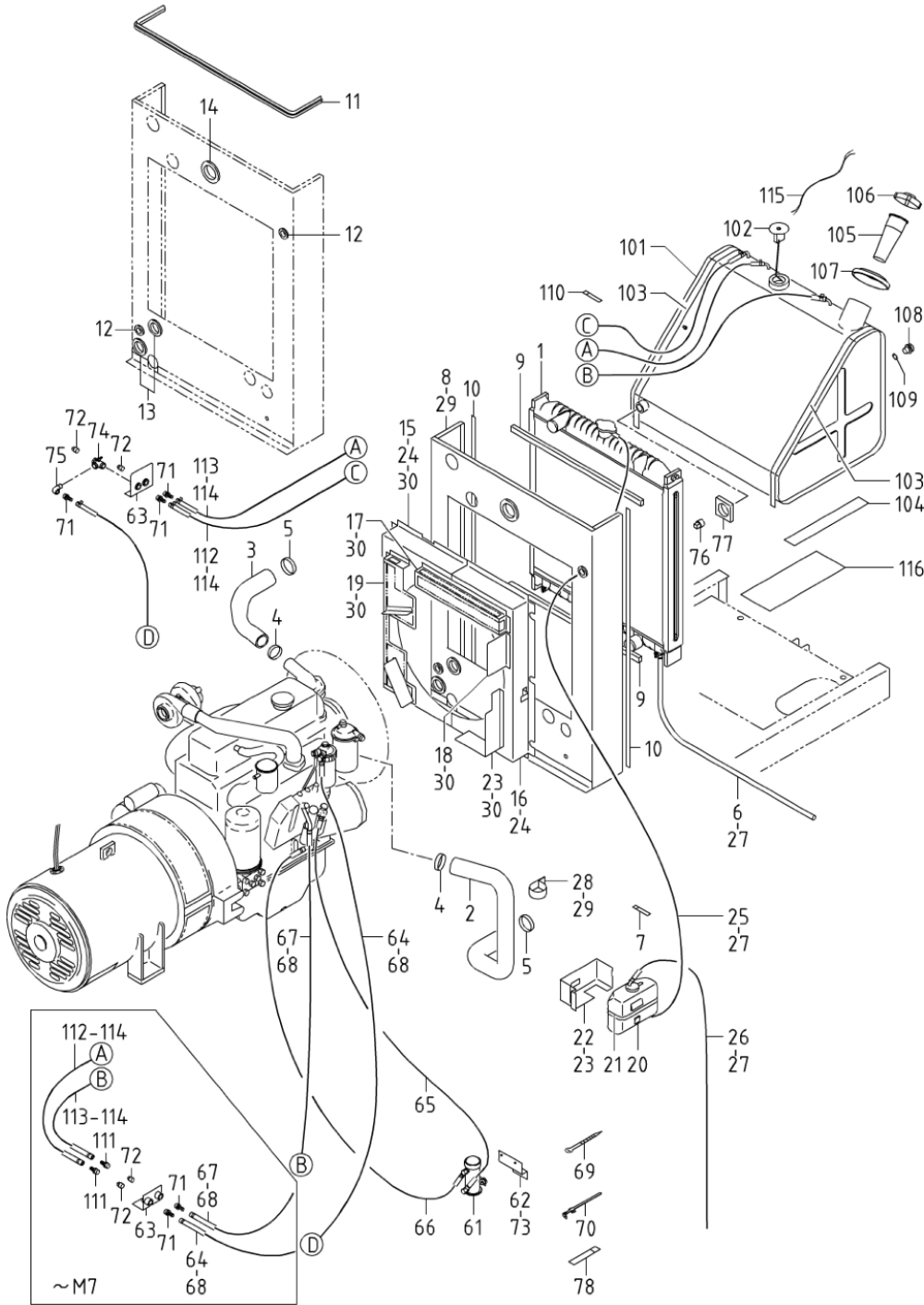
Diag #	Part #	Description	ITC	Serial/Date	Qty	Notes
77	03620 41004	Plug		, 0000-00-00~0000-00-00	1	
78	03735 13004	Valve		, 0000-00-00~0000-00-00	1	
79	37170 16301	Joint		, 0000-00-00~0000-00-00	1	
79	02201 06016	Flange bolt		, 0000-00-00~0000-00-00	2	
80	37170 02900	Joint		, 0000-00-00~0000-00-00	1	
100	42100 74700	Exhaust muffler		, 0000-00-00~0000-00-00	1	
100	02201 08030	Flange bolt		, 0000-00-00~0000-00-00	4	
100	52744 01200	Washer		, 0000-00-00~0000-00-00	4	
101	42160 00900	Cushion rubber		, 0000-00-00~0000-00-00	2	
102	42310 79700	Pipe		, 0000-00-00~0000-00-00	1	
102	02915 01008	Nut		, 0000-00-00~0000-00-00	3	
103	42230 17300	Belt		, 0000-00-00~0000-00-00	1	
103	42323 03600	Gasket		, 0000-00-00~0000-00-00	1	
103	02135 10035	Bolt		, 0000-00-00~0000-00-00	2	
103	02912 06010	Nut		, 0000-00-00~0000-00-00	2	
103	03115 02010	Spring washer		, 0000-00-00~0000-00-00	2	
104	42324 09400	Gasket		, 0000-00-00~0000-00-00	1	
105	42240 22600	Bracket		, 0000-00-00~0000-00-00	1	
105	02201 08020	Flange bolt		, 0000-00-00~0000-00-00	2	
106	03830 08004	U-bolt		, 0000-00-00~0000-00-00	1	
106	02915 00004	Hexagon flange nut		, 0000-00-00~0000-00-00	2	

MMD Equipment. Equip with the Pros.
All prices are subject to change without notice.



38-00 - COOLING AND FUEL LINE-SDG65S-6A6

38 - 00 COOLING & FUEL LINE





38-00 - COOLING AND FUEL LINE-SDG65S-6A6

Diag #	Part #	Description	ITC	Serial/Date	Qty	Notes
1	38100 41700	Radiator		, 0000-00-00~0000-00-00	1	
1	38410 05800	Cap		, 0000-00-00~0000-00-00	1	
1	38469 01400	Valve		, 0000-00-00~0000-00-00	2	drain
1	02201 08012	Flange bolt		, 0000-00-00~0000-00-00	6	
2	38524 59701	Hose		, 0000-00-00~0000-00-00	1	
3	38524 60900	Hose		, 0000-00-00~0000-00-00	1	
4	03511 20060	Hose clip		, 0000-00-00~0000-00-00	2	
5	03511 20070	Hose clip		, 0000-00-00~0000-00-00	2	
6	38594 02300	Hose		, 0000-00-00~0000-00-00	1	drain
7	03424 80101	Clip		, 0000-00-00~0000-00-00	1	
8	52350 95710	Cover		, 0000-00-00~0000-00-00	1	
1-Aug	52350 03020	Cover	B	191~, 0000-00-00~0000-00-00	1	
9	03407 67311	Seal rubber		, 0000-00-00~0000-00-00	2	
10	03407 66848	Seal rubber		, 0000-00-00~0000-00-00	2	
11	03407 64739	Seal rubber		, 0000-00-00~0000-00-00	1	
12	03403 00303	Grommet		, 0000-00-00~0000-00-00	2	
13	03403 00512	Grommet		, 0000-00-00~0000-00-00	2	
14	03403 00703	Grommet		, 0000-00-00~0000-00-00	1	
15	38440 88601	Shroud,fan		, 0000-00-00~0000-00-00	1	
16	38440 88702	Shroud,fan		, 0000-00-00~0000-00-00	1	
17	38450 64100	Guard,fan		, 0000-00-00~0000-00-00	1	

MMD Equipment. Equip with the Pros.
All prices are subject to change without notice.



38-00 - COOLING AND FUEL LINE-SDG65S-6A6

Diag #	Part #	Description	ITC	Serial/Date	Qty	Notes
18	38450 63400	Guard,fan		, 0000-00-00~0000-00-00	1	
19	38450 68500	Guard,fan		, 0000-00-00~0000-00-00	1	
20	38590 01200	Reserve tank		, 0000-00-00~0000-00-00	1	
21	03511 30185	Hose clip		, 0000-00-00~0000-00-00	1	
22	38860 22700	Bracket		, 0000-00-00~0000-00-00	1	
23	38450 68600	Guard,fan		, 0000-00-00~0000-00-00	1	
24	02915 00006	Hexagon flange nut		, 0000-00-00~0000-00-00	11	
25	38594 05500	Hose		, 0000-00-00~0000-00-00	1	
26	38594 05600	Hose		, 0000-00-00~0000-00-00	1	
27	03511 40016	Hose clip		, 0000-00-00~0000-00-00	4	
28	03424 80189	Clip		, 0000-00-00~0000-00-00	1	
29	02201 08020	Flange bolt		, 0000-00-00~0000-00-00	6	
30	02201 06016	Flange bolt		, 0000-00-00~0000-00-00	21	
61	43650 01100	Fuel pump		, 0000-00-00~0000-00-00	1	ISUZU 897041 5211
61	894337 0220	Filter:ISUZU		, 0000-00-00~0000-00-00		
61	02138 06030	Bolt		, 0000-00-00~0000-00-00	2	
61	03115 02006	Spring washer		, 0000-00-00~0000-00-00	2	
61	03116 12006	Plain washer		, 0000-00-00~0000-00-00	2	
62	43570 05900	Bracket		, 0000-00-00~0000-00-00	1	
63	37170 17200	Joint		, 0000-00-00~0000-00-00	1	
63-1	37170 18100	Joint	B	191~, 0000-00-00~0000-00-00	1	

MMD Equipment. Equip with the Pros.
All prices are subject to change without notice.



38-00 - COOLING AND FUEL LINE-SDG65S-6A6

Diag #	Part #	Description	ITC	Serial/Date	Qty	Notes
64	03600 09135	Hose		, 0000-00-00~0000-00-00	1	
64-1	03600 09125	Hose	B	191~, 0000-00-00~0000-00-00	1	
65	03570 08031	Hose		, 0000-00-00~0000-00-00	1	
65	03511 40016	Hose clip		, 0000-00-00~0000-00-00	2	
66	03600 08061	Hose		, 0000-00-00~0000-00-00	1	
66	03511 10017	Hose clip		, 0000-00-00~0000-00-00	2	
67	03600 09109	Hose		, 0000-00-00~0000-00-00	1	
67-1	03600 09250	Hose	B	191~, 0000-00-00~0000-00-00	1	
68	03511 40020	Hose clip		, 0000-00-00~0000-00-00	4	
69	03425 00001	Vinyl clip		, 0000-00-00~0000-00-00	10	
70	37181 03600	Clip		, 0000-00-00~0000-00-00	3	
71	37170 12200	Joint		, 0000-00-00~0000-00-00	2	
71-1	37170 12700	Joint	B	191~, 0000-00-00~0000-00-00	3	
72	03620 41003	Plug		, 0000-00-00~0000-00-00	2	
73	02201 08020	Flange bolt		, 0000-00-00~0000-00-00	4	
74	35483 08300	Stop valve		191~, 0000-00-00~0000-00-00	1	This is a new part starting with this S/N forward.
75	03731 21003	Elbow		191~, 0000-00-00~0000-00-00	1	This is a new part starting with this S/N forward.
76	03620 41006	Plug		191~, 0000-00-00~0000-00-00	1	This is a new part starting with this S/N forward.
77	52728 11010	Cushion rubber		191~, 0000-00-00~0000-00-00	1	This is a new part starting with this S/N forward.
78	03424 80011	Clip		, 0000-00-00~0000-00-00	1	
78	02201 08020	Flange bolt		, 0000-00-00~0000-00-00	1	

MMD Equipment. Equip with the Pros.
All prices are subject to change without notice.



38-00 - COOLING AND FUEL LINE-SDG65S-6A6

Diag #	Part #	Description	ITC	Serial/Date	Qty	Notes
78	02915 00008	Hexagon flange nut		, 0000-00-00~0000-00-00	1	
78	OPNPG 12501	FUEL TANK SET		191~, 0000-00-00~0000-00-00		
101	43100 61900	Fuel tank		191~, 0000-00-00~0000-00-00	1	STD.; This is a new part starting with this S/N forward.
101	43100 61200	Fuel tank		191~, 0000-00-00~0000-00-00	1	OPT.; This part is no longer used from this S/N forward.
102	36159 03600	Sending unit		191~, 0000-00-00~0000-00-00	1	This is a new part starting with this S/N forward.
102	02345 65012	Screw		191~, 0000-00-00~0000-00-00	5	This is a new part starting with this S/N forward.
102	03115 02005	Spring washer		191~, 0000-00-00~0000-00-00	5	This is a new part starting with this S/N forward.
102	03116 12005	Plain washer		191~, 0000-00-00~0000-00-00	5	This is a new part starting with this S/N forward.
103	43310 23500	Belt		191~, 0000-00-00~0000-00-00	2	This is a new part starting with this S/N forward.
103	02201 08020	Flange bolt		191~, 0000-00-00~0000-00-00	2	This is a new part starting with this S/N forward.
103	02915 00008	Hexagon flange nut		191~, 0000-00-00~0000-00-00	2	This is a new part starting with this S/N forward.
104	38465 12500	Cushion rubber		191~, 0000-00-00~0000-00-00	2	This is a new part starting with this S/N forward.
105	43210 01301	Strainer		191~, 0000-00-00~0000-00-00	1	This is a new part starting with this S/N forward.
106	43220 01300	Cap		191~, 0000-00-00~0000-00-00	1	This is a new part starting with this S/N forward.
107	43440 04600	Cover		191~, 0000-00-00~0000-00-00	1	This is a new part starting with this S/N forward.
108	41111 00900	Plug		191~, 0000-00-00~0000-00-00	1	This is a new part starting with this S/N forward.
109	37187 01000	O-ring		191~, 0000-00-00~0000-00-00	1	This is a new part starting with this S/N forward.
110	03424 82006	Clip		191~, 0000-00-00~0000-00-00	1	OPT.; This part is no longer used from this S/N forward.
110	02915 00006	Hexagon flange nut		191~, 0000-00-00~0000-00-00	1	OPT.; This part is no longer used from this S/N forward.

MMD Equipment. Equip with the Pros.
All prices are subject to change without notice.



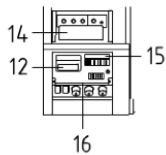
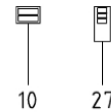
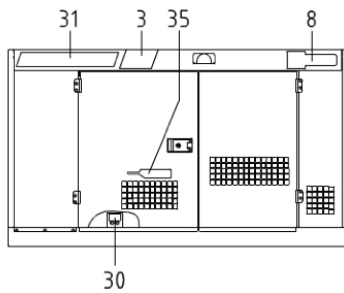
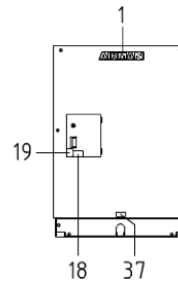
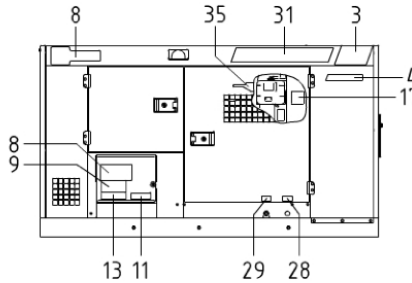
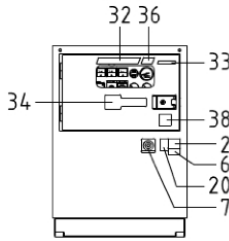
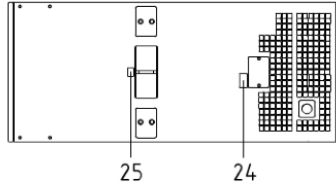
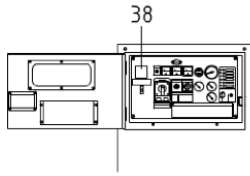
38-00 - COOLING AND FUEL LINE-SDG65S-6A6

Diag #	Part #	Description	ITC	Serial/Date	Qty	Notes
111	37170 12700	Joint		191~, 0000-00-00~0000-00-00	2	OPT.; This part is no longer used from this S/N forward.
112	03600 09135	Hose		191~, 0000-00-00~0000-00-00	1	STD.; This is a new part starting with this S/N forward.
112	03600 09095	Hose		191~, 0000-00-00~0000-00-00	1	OPT.; This part is no longer used from this S/N forward.
113	03600 09135	Hose		191~, 0000-00-00~0000-00-00	1	STD.; This is a new part starting with this S/N forward.
113	03600 09110	Hose		191~, 0000-00-00~0000-00-00	1	OPT.; This part is no longer used from this S/N forward.
114	03511 40020	Hose clip		191~, 0000-00-00~0000-00-00	4	This is a new part starting with this S/N forward.
115	44480 31200	Cable		191~, 0000-00-00~0000-00-00	1	OPT.; This part is no longer used from this S/N forward.
116	52350 93010	Cover		191~, 0000-00-00~0000-00-00	1	OPT.; This part is no longer used from this S/N forward.
116	02201 08020	Flange bolt		191~, 0000-00-00~0000-00-00	4	OPT.; This part is no longer used from this S/N forward.

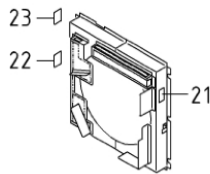


39-00 - NAME PLATE-SDG65S-6A6

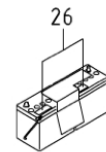
39 - 00 NAME PLATE



OUTPUT TERMINAL



FAN SHROUD



BATTERY



39-00 - NAME PLATE-SDG65S-6A6

Diag #	Part #	Description	ITC	Serial/Date	Qty	Notes
	39600 51823	Instruction book		, 0000-00-00~0000-00-00		
	39600 74121	Instruction book		522~, 0000-00-00~0000-00-00		
1	39170 02000	Mark		, 0000-00-00~0000-00-00	1	
2	39103 46801	Plate(SER.NO.)		, 0000-00-00~0000-00-00	1	
2	03260 03010	Blind rivet		, 0000-00-00~0000-00-00	4	
3	39178 52620	Plate(SDG65)		, 0000-00-00~0000-00-00	3	
1-Mar	39178 55120	Plate(65)	B	139~, 0000-00-00~0000-00-00	2	
4	39178 51220	Plate(AIRMAN)		, 0000-00-00~0000-00-00	2	
1-Apr	39178 55320	Plate(AIRMAN)	B	139~, 0000-00-00~0000-00-00	2	
5	39178 40520	Plate(MMD EQUIPMENT)		, 0000-00-00~0000-00-00	3	
1-May	39178 40520	Plate(MMD EQUIPMENT)	Q	139~, 0000-00-00~0000-00-00	2	
6	39178 43110	Plate		, 0000-00-00~0000-00-00	1	
7	39178 47610	Plate(emergency sw.)		, 0000-00-00~0000-00-00	1	
8	39176 88300	Plate(output)		, 0000-00-00~0000-00-00	1	
9	39176 62400	Plate (danger,high voltage)		, 0000-00-00~0000-00-00	1	
10	39173 02000	Plate,complete		, 0000-00-00~0000-00-00	1	Includes.No.11 & 12
11	39176 85800	Plate(terminal in)		, 0000-00-00~0000-00-00	1	This part can not be supplied as an individual part.
12	39176 85900	Plate(terminal in)		, 0000-00-00~0000-00-00	1	This part can not be supplied as an individual part.
13	39176 62900	Plate (warning,electric shock)		, 0000-00-00~0000-00-00	1	
14	39152 23401	Plate(wiring diagram)		, 0000-00-00~0000-00-00	1	

MMD Equipment. Equip with the Pros.
All prices are subject to change without notice.



39-00 - NAME PLATE-SDG65S-6A6

Diag #	Part #	Description	ITC	Serial/Date	Qty	Notes
15	39178 87210	Plate(breaker)		, 0000-00-00~0000-00-00	1	
16	39178 50620	Plate(socket)		, 0000-00-00~0000-00-00	1	
17	39178 00310	Plate(LLC)		, 0000-00-00~0000-00-00	1	
18	39178 72500	Plate (diesel fuel oil)		, 0000-00-00~0000-00-00	1	
19	39176 35600	Plate (No fire)		, 0000-00-00~0000-00-00	1	
20	39176 73300	Plate (caution,exhaust gases)		, 0000-00-00~0000-00-00	1	
21	39176 73500	Plate (caution,rotation)		, 0000-00-00~0000-00-00	1	
22	39176 73800	Plate (caution,rotation)		, 0000-00-00~0000-00-00	1	
23	39176 69500	Plate		, 0000-00-00~0000-00-00	1	
24	39176 69600	Plate		, 0000-00-00~0000-00-00	1	
25	39176 69300	Plate		, 0000-00-00~0000-00-00	1	
26	39176 50000	Plate (notice)		, 0000-00-00~0000-00-00	2	
27	39173 02100	Plate,complete		, 0000-00-00~0000-00-00	1	Includes.No.28~29&37
27	39189 17400	Plate (oil cooler drain)		, 0000-00-00~0000-00-00	1	X
27	39189 19100	Plate (receiver oil drain)		, 0000-00-00~0000-00-00	2	X
28	39189 17200	Plate (radiator drain)		, 0000-00-00~0000-00-00	1	This part can not be supplied as an individual part.
29	39189 17300	Plate (Eng. Oil drain)		, 0000-00-00~0000-00-00	1	This part can not be supplied as an individual part.
30	39178 55520	Plate(fuel port)		, 0000-00-00~0000-00-00	1	
30-1	39178 60620	Plate(fuel port)	B	191~, 0000-00-00~0000-00-00	1	
31	39178 54720	Plate(Power Pro)		139~, 0000-00-00~0000-00-00	2	This is a new part starting with this S/N forward.

MMD Equipment. Equip with the Pros.
All prices are subject to change without notice.



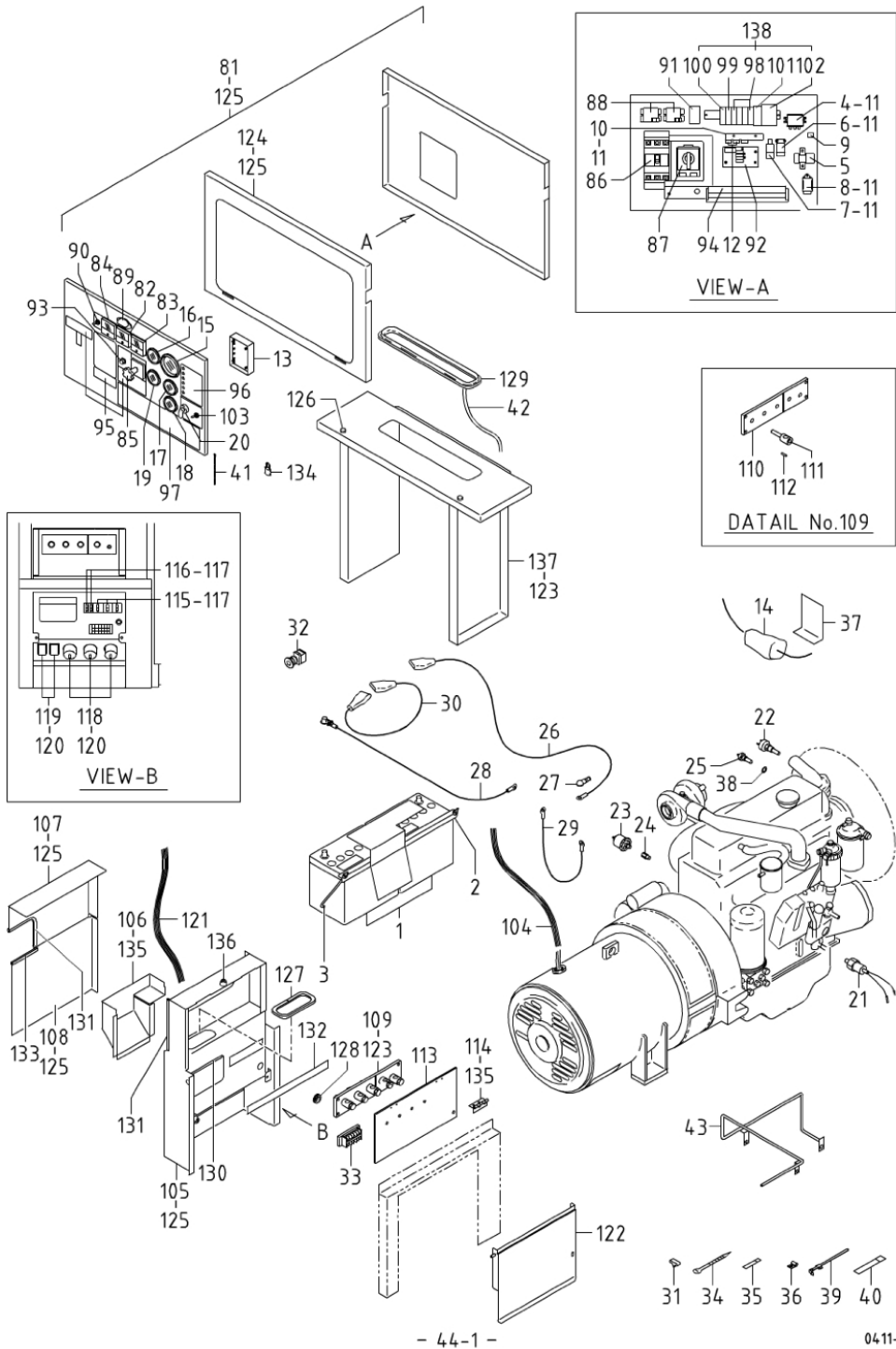
39-00 - NAME PLATE-SDG65S-6A6

Diag #	Part #	Description	ITC	Serial/Date	Qty	Notes
32	39178 54820	Plate(Power Pro)		139~, 0000-00-00~0000-00-00	1	This is a new part starting with this S/N forward.
33	39178 55420	Plate(AIRMAN)		139~, 0000-00-00~0000-00-00	1	This is a new part starting with this S/N forward.
34	39178 53720	Plate		139~, 0000-00-00~0000-00-00	1	This is a new part starting with this S/N forward.
35	39178 53620	Plate(QUIETECH)		139~, 0000-00-00~0000-00-00	2	This is a new part starting with this S/N forward.
36	39178 55220	Plate(65)		139~, 0000-00-00~0000-00-00	1	This is a new part starting with this S/N forward.
37	39189 17100	Plate (fuel drain)		, 0000-00-00~0000-00-00	1	This part can not be supplied as an individual part.
38	39178 57420	Plate(DELTA DEMAND)		129~, 0000-00-00~0000-00-00	2	This is a new part starting with this S/N forward.
38 -1	39178 80820	Plate		514~, 0000-00-00~0000-00-00	2	



44-00 - ELECTRIC-SDG65S-6A6

44 - 00 ELECTRIC



MMD Equipment. Equip with the Pros.
All prices are subject to change without notice.



44-00 - ELECTRIC-SDG65S-6A6

Diag #	Part #	Description	ITC	Serial/Date	Qty	Notes
1	44210 06600	Battery		, 0000-00-00~0000-00-00	2	80D26R-MF
2	44220 22400	Cover		, 0000-00-00~0000-00-00	1	
3	44243 01400	Holder		, 0000-00-00~0000-00-00	2	
3	02915 00006	Hexagon flange nut		, 0000-00-00~0000-00-00	2	
4	44335 01100	Magnetic switch		, 0000-00-00~0000-00-00	1	charge
5	44324 04800	Safety relay		, 0000-00-00~0000-00-00	1	
5	182553 0390	Safety relay ISUZU		, 0000-00-00~0000-00-00	1	
5	02248 08016	Bolt (w/washer)		, 0000-00-00~0000-00-00	2	
6	44346 11300	Relay (glow)		, 0000-00-00~0000-00-00	1	glow
6	894258 0140	Relay ISUZU		, 0000-00-00~0000-00-00	1	glow
7	44346 07500	Relay (motor stopper)		, 0000-00-00~0000-00-00	1	motor stopper
7	582550 0300	Relay ISUZU		, 0000-00-00~0000-00-00	1	motor stopper
8	44327 06300	Time relay (QOS III)		, 0000-00-00~0000-00-00	1	QOS timer
8	897046 2820	Time relay ISUZU		, 0000-00-00~0000-00-00	1	QOS timer
9	46921 04300	Silicon rectifier		, 0000-00-00~0000-00-00	1	
9	02345 63020	Screw		, 0000-00-00~0000-00-00	1	
9	03115 02003	Spring washer		, 0000-00-00~0000-00-00	1	
9	03116 12003	Plain washer		, 0000-00-00~0000-00-00	1	
10	44250 14710	Bracket		, 0000-00-00~0000-00-00	1	
11	02248 06016	Bolt (w/washer)		, 0000-00-00~0000-00-00	8	
12	44470 01600	Fuse box		, 0000-00-00~0000-00-00	3	

MMD Equipment. Equip with the Pros.
All prices are subject to change without notice.



44-00 - ELECTRIC-SDG65S-6A6

Diag #	Part #	Description	ITC	Serial/Date	Qty	Notes
12	46934 03200	Fuse(10A)		, 0000-00-00~0000-00-00	3	
13	46870 30800	Controller		, 0000-00-00~0000-00-00	1	Emergency
14	44358 00600	Engine stopper		, 0000-00-00~0000-00-00	1	
15	36146 06200	Tachometer		, 0000-00-00~0000-00-00	1	w.Hour meter
16	36158 00601	Gauge,fuel		, 0000-00-00~0000-00-00	1	
17	36143 03500	Gauge,oil press.		, 0000-00-00~0000-00-00	1	
17-1	36143 03800	Gauge,oil press.	A	139~, 0000-00-00~0000-00-00	1	
18	36145 04901	Thermometer,water		, 0000-00-00~0000-00-00	1	
18-1	36145 06700	Thermometer,water	A	205~, 0000-00-00~0000-00-00	1	
19	46154 14900	Ammeter		, 0000-00-00~0000-00-00	1	
19-1	46154 14701	Ammeter	B	205~, 0000-00-00~0000-00-00	1	
19-1	44314 03900	Bulb		205~, 0000-00-00~0000-00-00	1	This is a new part starting with this S/N forward.
19-1	44314 03900	Bulb		333~, 0000-00-00~0000-00-00	1	
19 -2	46154 15500	Ammeter	B	333~, 0000-00-00~0000-00-00	1	
20	44322 07200	Starter switch		, 0000-00-00~0000-00-00	1	
20	897044 4180	Starter switch ISUZU		, 0000-00-00~0000-00-00	1	
20	52739 00600	Key		, 0000-00-00~0000-00-00	2	
21	44328 06700	Pressure switch		, 0000-00-00~0000-00-00	1	
22	44334 14700	Thermo switch		, 0000-00-00~0000-00-00	1	
23	44328 14600	Pressure switch		, 0000-00-00~0000-00-00	1	
23-1	44365 00201	Oil pressure sender	A	62~, 0000-00-00~0000-00-00	1	

MMD Equipment. Equip with the Pros.
All prices are subject to change without notice.



44-00 - ELECTRIC-SDG65S-6A6

Diag #	Part #	Description	ITC	Serial/Date	Qty	Notes
23 -2	44365 00300	Oil pressure sender	B	333~, 0000-00-00~0000-00-00	1	
24	37189 07800	Bushing		, 0000-00-00~0000-00-00	1	
25	44364 00100	Thermo sensor		, 0000-00-00~0000-00-00	1	
26	07885 29070	Cable		, 0000-00-00~0000-00-00	1	batt.~starter
26	44463 09000	Tube		, 0000-00-00~0000-00-00	1	protector
26	44462 05500	Insulator		, 0000-00-00~0000-00-00	1	re
27	44462 00800	Insulator		, 0000-00-00~0000-00-00	1	
28	07888 52040	Cable		, 0000-00-00~0000-00-00	1	batt.~Eng.earth
28	02248 12030	Bolt (w/washer)		, 0000-00-00~0000-00-00	1	
28	44462 05600	Insulator		, 0000-00-00~0000-00-00	1	black
29	05068 23040	Cable		, 0000-00-00~0000-00-00	1	earth
29	02201 08020	Flange bolt		, 0000-00-00~0000-00-00	1	
30	07885 34040	Cable		, 0000-00-00~0000-00-00	1	batt. (+)~batt.(-)
30	44462 05500	Insulator		, 0000-00-00~0000-00-00	1	re
30	44462 05600	Insulator		, 0000-00-00~0000-00-00	1	black
31	* * *			, 0000-00-00~0000-00-00		
32	44336 03001	Button switch		, 0000-00-00~0000-00-00	1	
33	44311 47600	Terminal plate		, 0000-00-00~0000-00-00	1	
33	02345 24020	Screw		, 0000-00-00~0000-00-00	2	
33	03115 03004	Spring washer		, 0000-00-00~0000-00-00	2	
33	03116 18004	Plain washer		, 0000-00-00~0000-00-00	2	

MMD Equipment. Equip with the Pros.
All prices are subject to change without notice.



44-00 - ELECTRIC-SDG65S-6A6

Diag #	Part #	Description	ITC	Serial/Date	Qty	Notes
34	03425 00001	Vinyl clip		, 0000-00-00~0000-00-00	16	
35	03424 80101	Clip		, 0000-00-00~0000-00-00	1	
36	37181 05600	Clip		, 0000-00-00~0000-00-00	1	
36	02201 06016	Flange bolt		, 0000-00-00~0000-00-00	2	
36	02915 00006	Hexagon flange nut		, 0000-00-00~0000-00-00	1	
37	44250 07211	Bracket		, 0000-00-00~0000-00-00	1	
37	02201 06016	Flange bolt		, 0000-00-00~0000-00-00	2	
38	36153 00100	Gasket		, 0000-00-00~0000-00-00	1	
39	37181 03600	Clip		, 0000-00-00~0000-00-00	2	
40	* * *			, 0000-00-00~0000-00-00		
41	52660 04700	Hook		, 0000-00-00~0000-00-00	1	
41	03260 03010	Blind rivet		, 0000-00-00~0000-00-00	1	
42	44490 18930	Wiring harness		, 0000-00-00~0000-00-00	1	
42-1	44490 25630	Wiring harness	B	191~, 0000-00-00~0000-00-00	1	
42-1	02248 06016	Bolt (w/washer)		, 0000-00-00~0000-00-00	1	earth
42-1	02138 05012	Bolt		, 0000-00-00~0000-00-00	1	for alternator
42-1	03115 02005	Spring washer		, 0000-00-00~0000-00-00	1	for alternator
42-1	03116 12005	Plain washer		, 0000-00-00~0000-00-00	1	for alternator
42-1	02915 00005	Hexagon flange nut		, 0000-00-00~0000-00-00	1	for alternator
43	44290 18031	Guide		, 0000-00-00~0000-00-00	1	
43	02201 10020	Flange bolt		, 0000-00-00~0000-00-00	2	

MMD Equipment. Equip with the Pros.
All prices are subject to change without notice.



44-00 - ELECTRIC-SDG65S-6A6

Diag #	Part #	Description	ITC	Serial/Date	Qty	Notes
43	02108 10020	Bolt		, 0000-00-00~0000-00-00	1	
43	03115 02010	Spring washer		, 0000-00-00~0000-00-00	1	
43	03116 12010	Plain washer		, 0000-00-00~0000-00-00	1	
81	46900 74300	Switch board ass'y		, 0000-00-00~0000-00-00	1	Includes.No.82~104&138
82	46153 04000	Voltmeter(AC)		, 0000-00-00~0000-00-00	1	
83	46154 14400	Ammeter (AC)		, 0000-00-00~0000-00-00	1	
84	46911 01400	Frequency meter		, 0000-00-00~0000-00-00	1	
85	46913 01000	Transfer device		, 0000-00-00~0000-00-00	1	
86	46120 26400	Circuit breaker		, 0000-00-00~0000-00-00	1	
87	46917 00900	Change device,voltage		, 0000-00-00~0000-00-00	1	
88	46923 02700	Current transformer		, 0000-00-00~0000-00-00	2	
89	46929 00600	Illuminator		, 0000-00-00~0000-00-00	1	
89	46939 00900	Bulb		, 0000-00-00~0000-00-00	1	
90	46167 02400	Select switch		, 0000-00-00~0000-00-00	1	
91	46928 01200	Thermal relay		, 0000-00-00~0000-00-00	1	
91	46921 08600	Silicon rectifier		, 0000-00-00~0000-00-00	2	
92	46950 02400	A.V.R ass'y		, 0000-00-00~0000-00-00	1	
93	46918 01400	Controller		, 0000-00-00~0000-00-00	1	
93	46991 00100	Knob		, 0000-00-00~0000-00-00	1	
94	44311 51300	Terminal plate		, 0000-00-00~0000-00-00	1	
94	46311 02200	Plate		, 0000-00-00~0000-00-00	1	

MMD Equipment. Equip with the Pros.
All prices are subject to change without notice.



44-00 - ELECTRIC-SDG65S-6A6

Diag #	Part #	Description	ITC	Serial/Date	Qty	Notes
95	39178 50820	Plate(caution,switch)		, 0000-00-00~0000-00-00	1	
96	39178 50920	Plate(warning,electric)		, 0000-00-00~0000-00-00	1	
97	39153 61300	Plate(notice)		, 0000-00-00~0000-00-00	1	
98	46177 08600	Relay		, 0000-00-00~0000-00-00	4	
99	46177 08700	Relay		, 0000-00-00~0000-00-00	1	
100	46177 08500	Relay		, 0000-00-00~0000-00-00	1	
101	46872 01300	Dc power supply		, 0000-00-00~0000-00-00	1	
101	46948 00900	Surge absorber		, 0000-00-00~0000-00-00	1	
102	46879 28900	Controller complete		, 0000-00-00~0000-00-00	1	
103	44167 02500	Select switch		, 0000-00-00~0000-00-00	1	
104	44550 15600	Cable kit		, 0000-00-00~0000-00-00	1	
105	46470 67800	Box		, 0000-00-00~0000-00-00	1	
105-1	46470 68700	Box	B	152~, 0000-00-00~0000-00-00	1	
105-2	46470 70900	Box	B	191~, 0000-00-00~0000-00-00	1	
106	46480 38000	Cover		, 0000-00-00~0000-00-00	1	
106-1	46480 40800	Cover	B	191~, 0000-00-00~0000-00-00	1	
107	44260 28100	Cover		, 0000-00-00~0000-00-00	1	
108	44260 28200	Cover		, 0000-00-00~0000-00-00	1	
109	44311 53901	Terminal plate		, 0000-00-00~0000-00-00	1	Includes.No.110~112
110	46305 07201	Plate		, 0000-00-00~0000-00-00	1	
111	46312 04200	Bolt		, 0000-00-00~0000-00-00	5	

MMD Equipment. Equip with the Pros.
All prices are subject to change without notice.



44-00 - ELECTRIC-SDG65S-6A6

Diag #	Part #	Description	ITC	Serial/Date	Qty	Notes
111	35208 04400	Bolt		, 0000-00-00~0000-00-00	5	
111	02912 03012	Nut		, 0000-00-00~0000-00-00	10	
111	03115 02012	Spring Washer		, 0000-00-00~0000-00-00	15	
111	03116 14012	Plain washer		, 0000-00-00~0000-00-00	20	
112	03317 03012	Spring pin		, 0000-00-00~0000-00-00	5	
113	52416 24201	Window glass		, 0000-00-00~0000-00-00	1	
113	52640 02400	Bolt		, 0000-00-00~0000-00-00	2	
113	45214 01400	Washer		, 0000-00-00~0000-00-00	2	
113-1	52416 25200	Window glass	B	191~, 0000-00-00~0000-00-00	1	
113-1	52640 02400	Bolt	Q	191~, 0000-00-00~0000-00-00	1	
113-1	45214 01400	Washer	Q	191~, 0000-00-00~0000-00-00	1	
114	52480 13300	Hinge		, 0000-00-00~0000-00-00	2	
114	02915 00006	Hexagon flange nut		, 0000-00-00~0000-00-00	8	
115	46120 23000	Circuit breaker		, 0000-00-00~0000-00-00	3	
115-1	46120 26900	Circuit breaker	A	205~, 0000-00-00~0000-00-00	3	
116	46120 22900	Circuit breaker		, 0000-00-00~0000-00-00	2	
116-1	46120 26800	Circuit breaker	A	205~, 0000-00-00~0000-00-00	2	
117	02345 23008	Screw		, 0000-00-00~0000-00-00	16	
117	03115 03003	Spring washer		, 0000-00-00~0000-00-00	16	
117	03116 18003	Plain washer		, 0000-00-00~0000-00-00	16	
118	44312 02800	Socket		, 0000-00-00~0000-00-00	3	

MMD Equipment. Equip with the Pros.
All prices are subject to change without notice.



44-00 - ELECTRIC-SDG65S-6A6

Diag #	Part #	Description	ITC	Serial/Date	Qty	Notes
119	44312 02900	Socket		, 0000-00-00~0000-00-00	2	
120	02345 24020	Screw		, 0000-00-00~0000-00-00	10	
120	02912 09004	Nut		, 0000-00-00~0000-00-00	10	
120	03115 03004	Spring washer		, 0000-00-00~0000-00-00	10	
120	03116 18004	Plain washer		, 0000-00-00~0000-00-00	20	
121	44550 15900	Cable kit		, 0000-00-00~0000-00-00	1	
122	52400 51210	Side cover		, 0000-00-00~0000-00-00	1	
122-1	52400 54610	Side cover	B	152~, 0000-00-00~0000-00-00	1	
122-1	02201 08020	Flange bolt		191~, 0000-00-00~0000-00-00	1	side; This part is no longer used from this S/N forward.
122-1	GH245 00600	Washer		191~, 0000-00-00~0000-00-00	2	side; This part is no longer used from this S/N forward.
122-1	03116 12008	Plain washer		191~, 0000-00-00~0000-00-00	2	side; This part is no longer used from this S/N forward.
122-1	02246 08025	Bolt		152~, 0000-00-00~0000-00-00	2	front; This part is no longer used from this S/N forward.
122-2	52400 58310	Side cover	B	191~, 0000-00-00~0000-00-00	1	
122-2	02136 08035	Bolt		191~, 0000-00-00~0000-00-00	2	side
122-2	02912 08008	Nut		191~, 0000-00-00~0000-00-00	4	side
122-2	02138 08020	Bolt,w/w		191~, 0000-00-00~0000-00-00	2	side; This is a new part starting with this S/N forward.
122-2	GH245 00600	Washer		191~, 0000-00-00~0000-00-00	8	side; This is a new part starting with this S/N forward.
122-2	03116 12008	Plain washer		191~, 0000-00-00~0000-00-00	4	side; This is a new part starting with this S/N forward.



44-00 - ELECTRIC-SDG65S-6A6

Diag #	Part #	Description	ITC	Serial/Date	Qty	Notes
122-2	52640 02800	Bolt		152~, 0000-00-00~0000-00-00	1	front; This is a new part starting with this S/N forward.
122-2	02136 06025	Bolt		152~, 0000-00-00~0000-00-00	1	front; This is a new part starting with this S/N forward.
122-2	02914 60006	Locking nut		152~, 0000-00-00~0000-00-00	1	front; This is a new part starting with this S/N forward.
122-2	03116 15006	Plain washer		152~, 0000-00-00~0000-00-00	1	front; This is a new part starting with this S/N forward.
123	02201 08020	Flange bolt		, 0000-00-00~0000-00-00	8	
124	36120 08600	Plate		, 0000-00-00~0000-00-00	1	
125	02201 06016	Flange bolt		, 0000-00-00~0000-00-00	14	
126	GE240 01100	Rubber cushion		, 0000-00-00~0000-00-00	2	
127	03407 66505	Seal rubber		, 0000-00-00~0000-00-00	1	
128	03403 00252	Grommet		, 0000-00-00~0000-00-00	1	
129	03407 64739	Seal rubber		, 0000-00-00~0000-00-00	1	
130	03407 66509	Seal rubber		, 0000-00-00~0000-00-00	1	
131	03407 66510	Seal rubber		, 0000-00-00~0000-00-00	2	
132	03407 67046	Seal rubber		, 0000-00-00~0000-00-00	1	
133	03407 67507	Seal rubber		, 0000-00-00~0000-00-00	1	
134	52723 00100	Lock ass'y		, 0000-00-00~0000-00-00	1	w.key
135	02401 26016	Screw		, 0000-00-00~0000-00-00	12	
136	31131 04100	Rubber,vibration isolator		, 0000-00-00~0000-00-00	1	
136-1	31131 04100	Rubber,vibration isolator	Q	152~, 0000-00-00~0000-00-00	2	



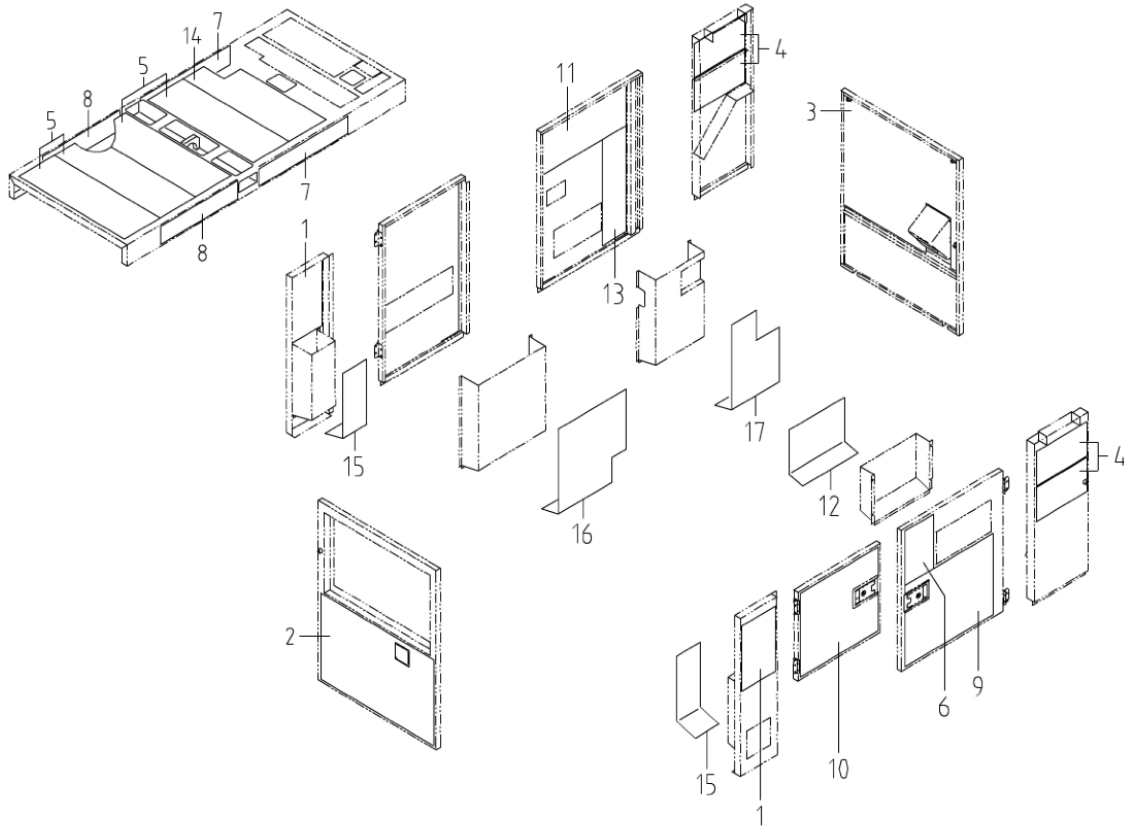
44-00 - ELECTRIC-SDG65S-6A6

Diag #	Part #	Description	ITC	Serial/Date	Qty	Notes
137	52350 92211	Cover		, 0000-00-00~0000-00-00	1	
137	02201 08020	Flange bolt		, 0000-00-00~0000-00-00	4	
138	46760 29810	Control panel		, 0000-00-00~0000-00-00	1	Includes.No.98~102



52-00 - LINING-SDG65S-6A6

52 - 00 LINING



- 52-1 -



52-00 - LINING-SDG65S-6A6

Diag #	Part #	Description	ITC	Serial/Date	Qty	Notes
	52900 52812	URETHANE FOAM KIT		, 0000-00-00~0000-00-00		
1	52959 22140	Lining		, 0000-00-00~0000-00-00	2	
2	52931 38520	Lining		, 0000-00-00~0000-00-00	1	
3	52939 98130	Lining		, 0000-00-00~0000-00-00	1	
4	52919 30810	Lining		, 0000-00-00~0000-00-00	4	
5	52959 95540	Lining		, 0000-00-00~0000-00-00	4	
6	52959 13450	Lining		, 0000-00-00~0000-00-00	1	
7	52959 12040	Lining		, 0000-00-00~0000-00-00	2	
8	52959 47930	Lining		, 0000-00-00~0000-00-00	2	
9	52931 42120	Lining		, 0000-00-00~0000-00-00	1	
10	52931 40820	Lining		, 0000-00-00~0000-00-00	1	
11	52959 16930	Lining		, 0000-00-00~0000-00-00	1	
12	52959 13550	Lining		, 0000-00-00~0000-00-00	1	
13	52959 33040	Lining		, 0000-00-00~0000-00-00	1	
14	52931 41520	Lining		, 0000-00-00~0000-00-00	1	
15	52959 81040	Lining		, 0000-00-00~0000-00-00	2	
16	52931 41320	Lining		, 0000-00-00~0000-00-00	1	
17	52931 40920	Lining		, 0000-00-00~0000-00-00	1	